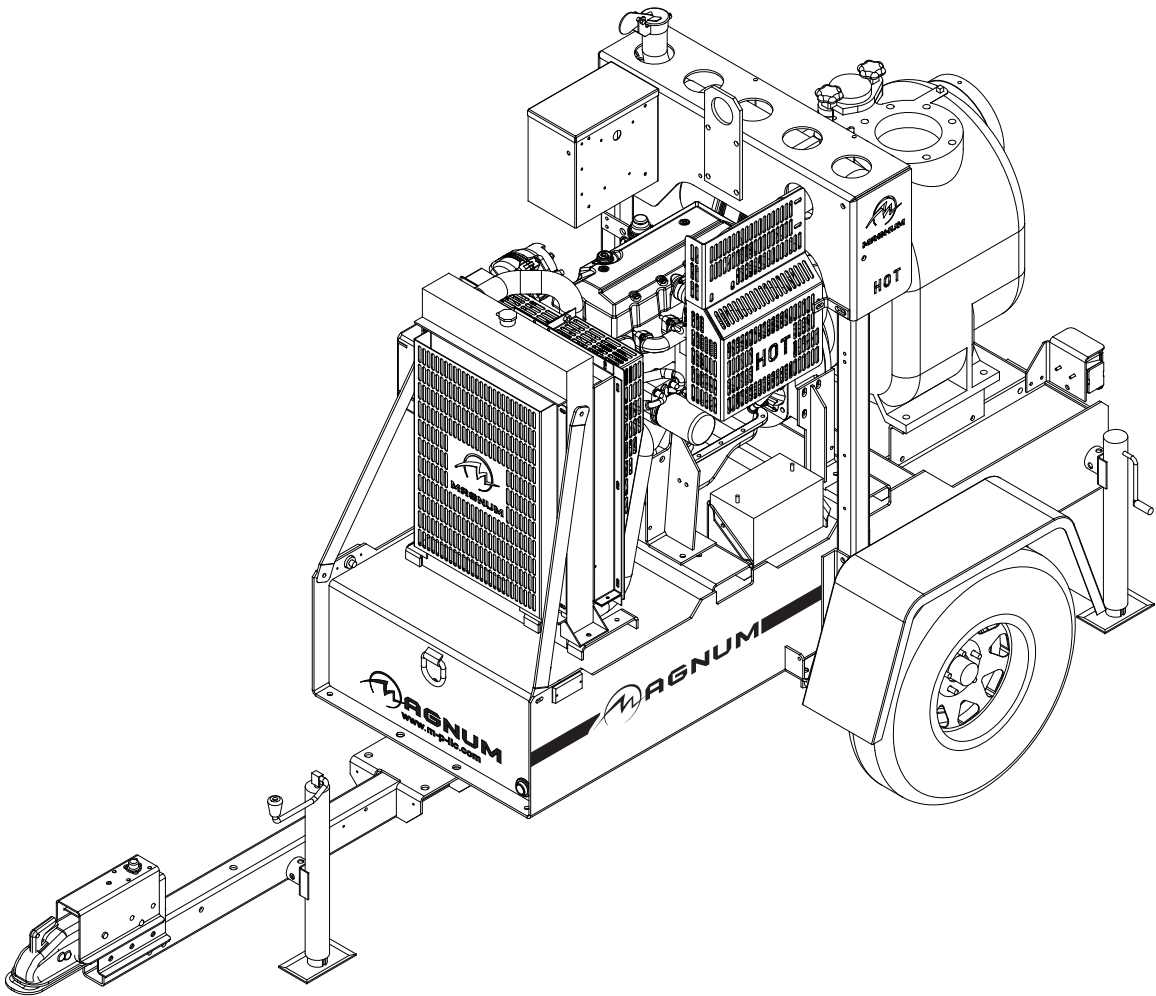




SELF-PRIME DIESEL TRASH PUMP MTP4000S



PARTS MANUAL

INTRODUCTION

Before servicing this machine, make sure the engine start switch is turned to off "O", the emergency stop switch is closed (pushed in), and the negative (-) terminal on battery is disconnected. Attach a "DO NOT START" sign to the control panel. This will notify everyone that the unit is being serviced and will reduce the chance of someone inadvertently trying to start the unit.

▲ WARNING

Before operating or servicing this equipment, read and understand the Magnum Operating Manual which was included with the unit when shipped from the factory. Failure to do so increases the risk of injury to yourself or others.

MAGNUM PRODUCTS LLC
215 Power Drive • Berlin, WI 54923
U.S.A.
Phone: 920-361-4442
FAX: 920-361-4416
Toll Free: 1-800-926-9768
www.m-p-llc.com

For technical or parts QUESTIONS, please contact Magnum Products' Customer Support or Technical Support team at 920-361-4442 or toll free at 1-800-926-9768. Please have your serial number available.

To ORDER SERVICE PARTS, please contact the dealer from which you purchased the unit, or call Magnum Products to locate a dealer in your area.

Engine Make: _____
Engine Serial Number: _____
Engine Model Number: _____
Pump Make: _____
Pump Model Number: _____
Pump Serial Number: _____
Unit Model Number: _____
Unit Serial Number: _____

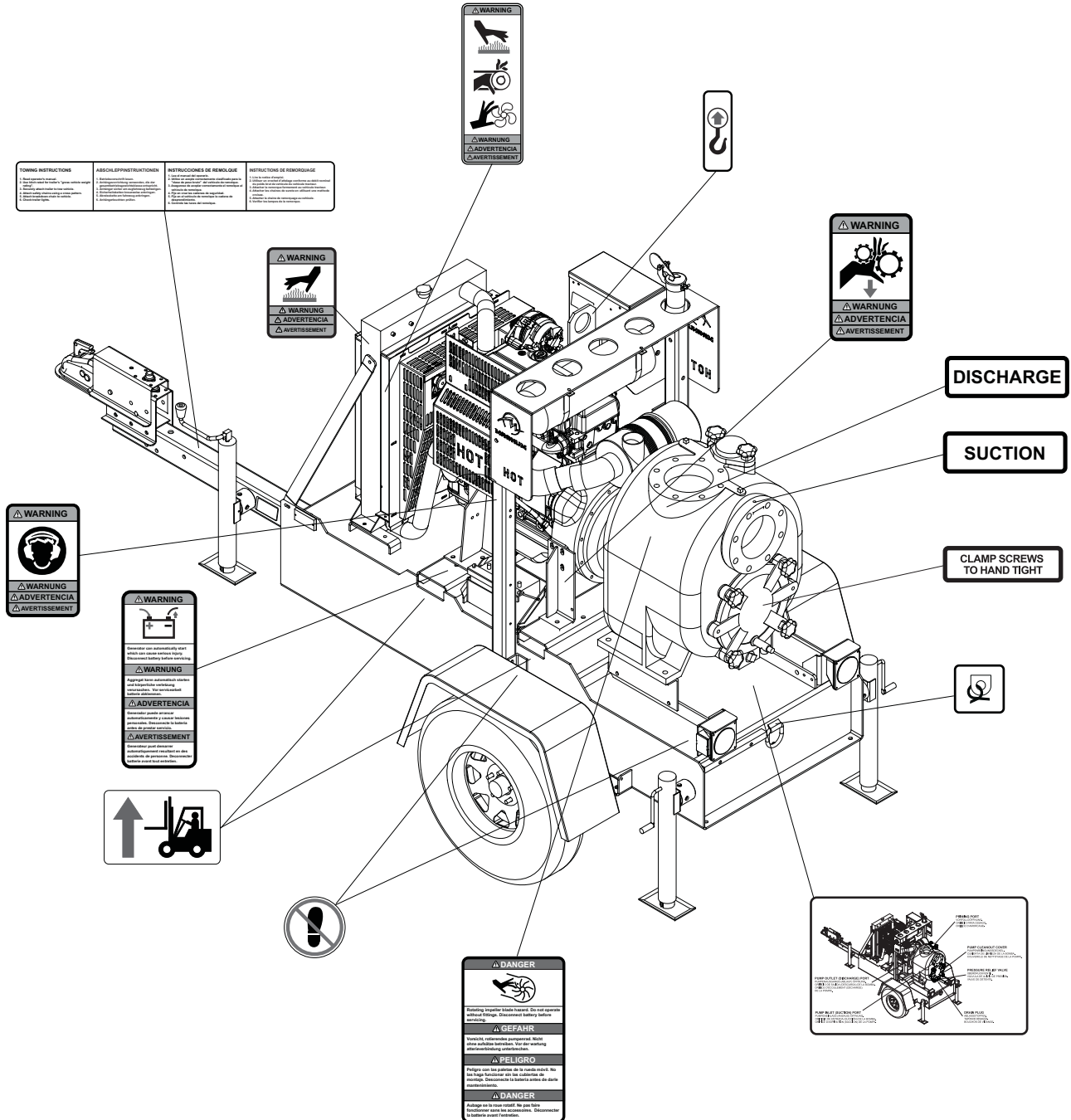
▲ WARNING

CALIFORNIA PROPOSITION 65 WARNING:
Diesel engine exhaust and some of its constituents are known to the state of California to cause cancer, birth defects and other reproductive harm.

TABLE OF CONTENTS

| | Page |
|----------------------------------|------|
| INTRODUCTION | 2 |
| TABLE OF CONTENTS | 3 |
| UNIT DECALS | 4 |
| UNIT DECALS | 5 |
| FUEL TANK ASSEMBLY | 6 |
| SKID ASSEMBLY | 8 |
| AIR FILTER ASSEMBLY | 10 |
| EXHAUST SYSTEM ASSEMBLY | 11 |
| ENGINE ASSEMBLY - 4000S | 12 |
| COOLING SYSTEM ASSEMBLY | 14 |
| CONTROL PANEL ASSEMBLY | 16 |
| CONTROL BOX ASSEMBLY | 17 |
| 4" WET PRIME PUMP ASSEMBLY | 18 |
| TRAILER ASSEMBLY | 20 |
| TRAILER BRAKE LINES | 22 |
| SERVICE LOG | 23 |

UNIT DECALS

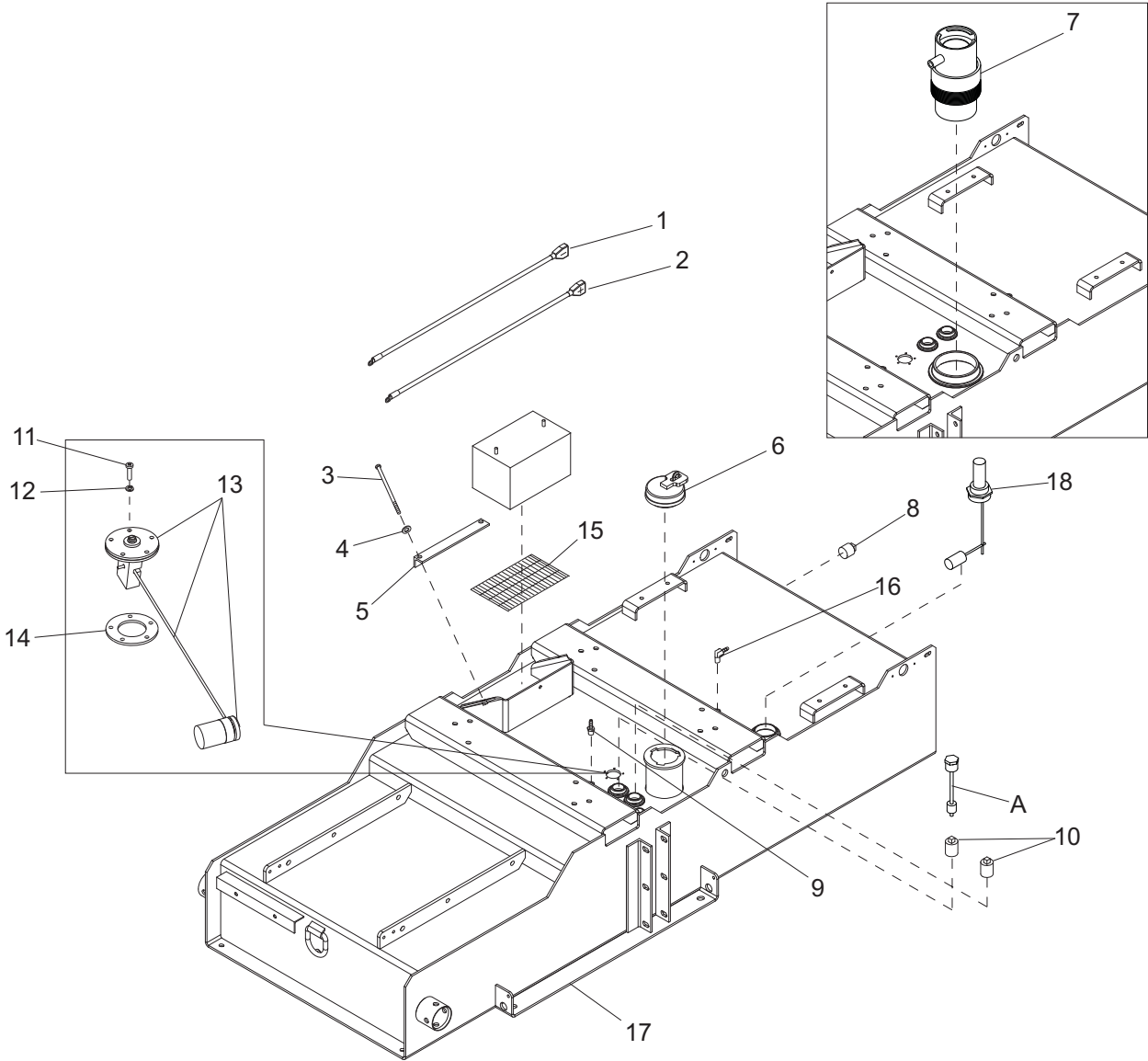



 Magnum logo w/ red stripe
 Part Number 11174


 Magnum logo w/ web
 Part Number 11275

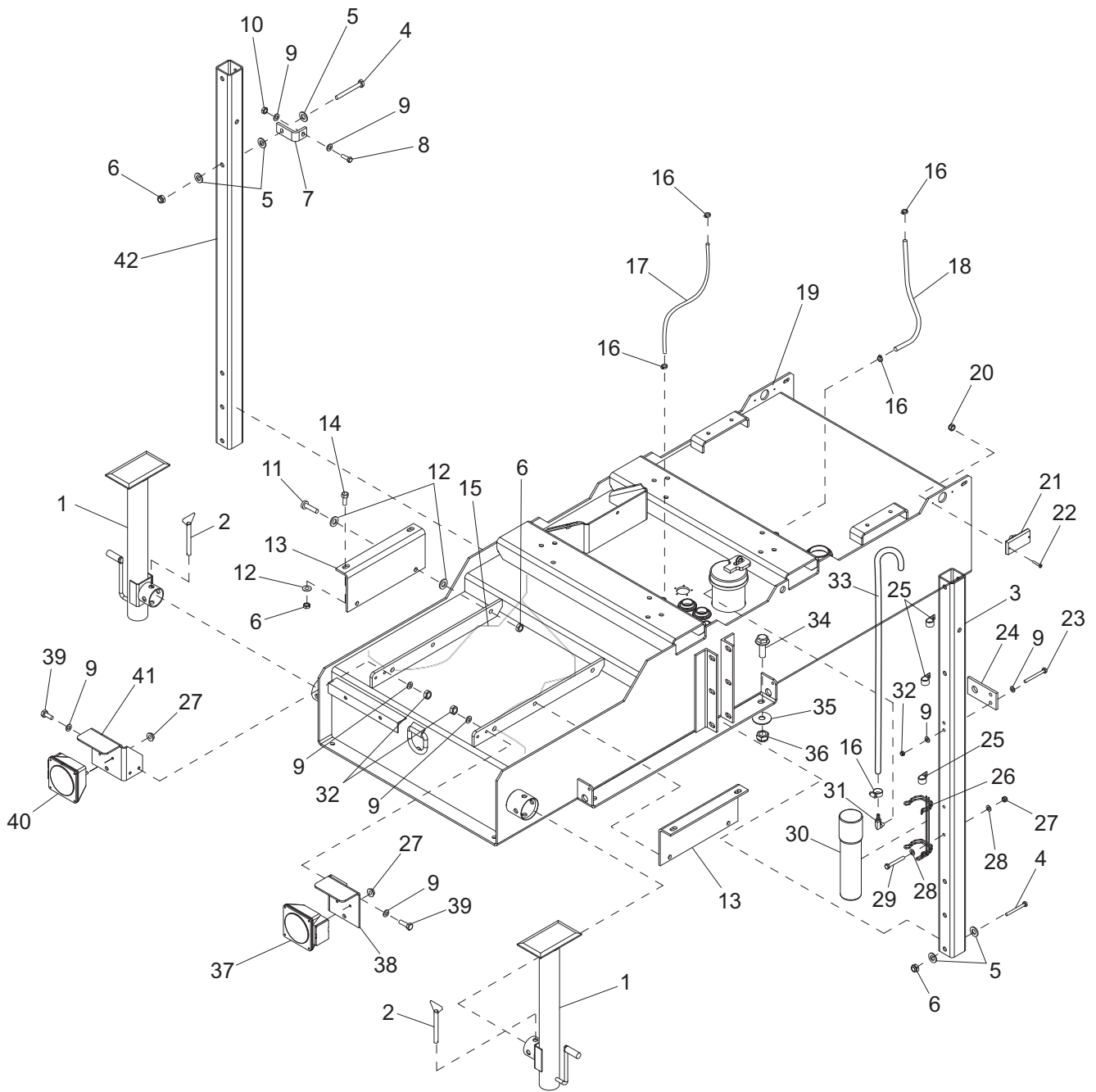
Note: All safety and operating decals shown above are located on decal sheet 41201, unless otherwise noted.

FUEL TANK ASSEMBLY



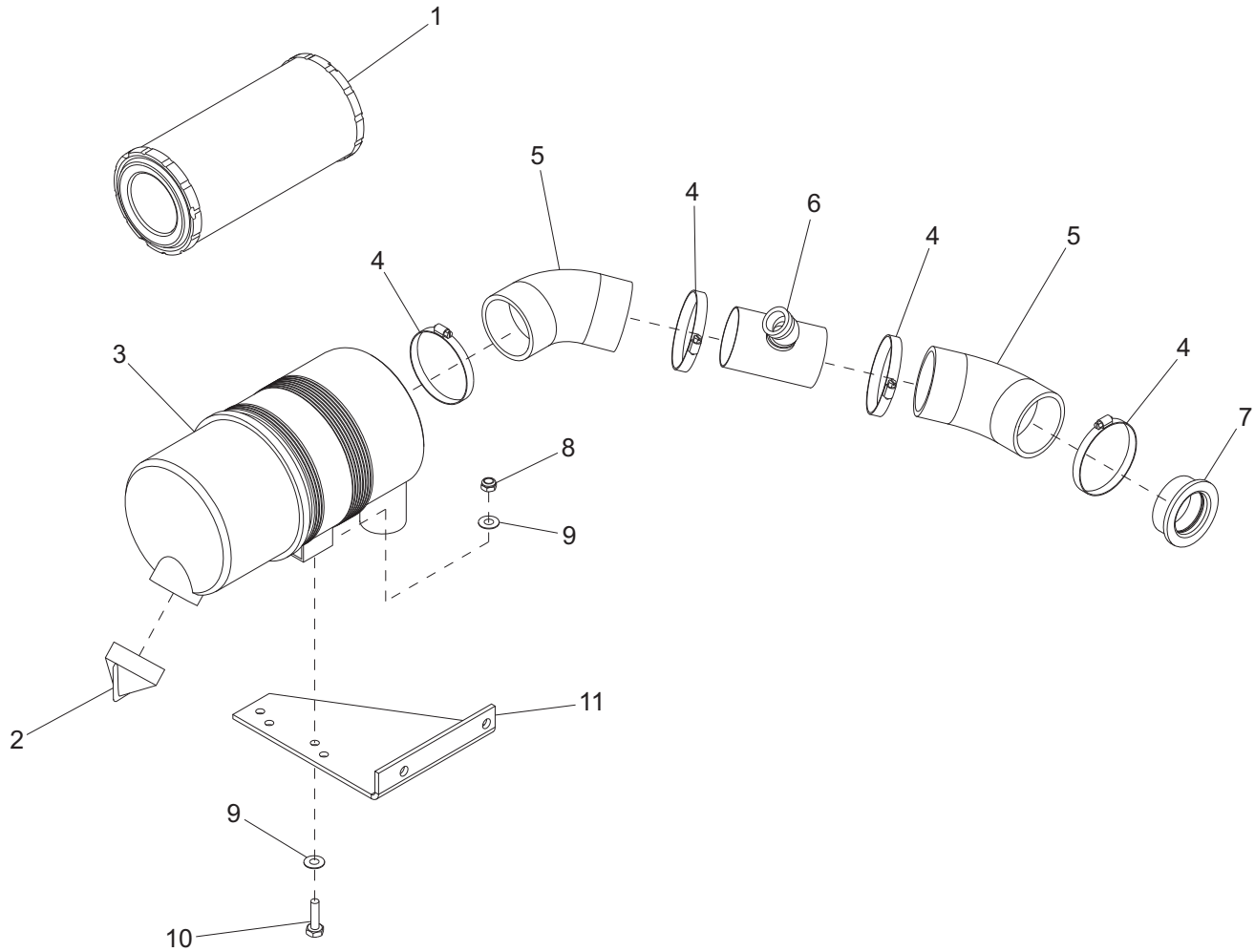
| ITEM | PART NO. | QTY | DESCRIPTION | NOTES |
|------|----------|-----|--------------------------------------|------------------------------|
| 1 | 65686 | 1 | Cable, battery - black | |
| 2 | 65687 | 1 | Cable, battery - red | |
| 3 | 60845 | 1 | Screw, .312-18x7.000 hx | |
| 4 | 60119 | 2 | Washer, flat .312 | |
| 5 | 41055B | 1 | Bracket, battery tie-down | |
| 6 | 23707 | 1 | Cap, fuel fill - 3.50 | |
| 7 | 41275B | 1 | Weldment, filler neck | End SN: 1107255 |
| 8 | 60498 | 1 | Plug, 1.00 NPT square drive | |
| 9 | 15142 | 1 | Fitting, .250NPT x .312 barb | |
| 10 | 60988 | 2 | Plug, 1.00 NPT square drive | |
| 11 | 60062 | 5 | Screw, pan hd phil | |
| 12 | 60252 | 5 | Washer, split lock #10 | |
| 13 | 20571 | 1 | Sender, fuel - 10-15" tank | |
| 14 | 22323 | 1 | Gasket, fuel sending unit | |
| 15 | 41185 | 1 | Battery pad - black pillow | |
| 16 | 15693 | 1 | Fitting, 90° elbow | |
| 17 | 41278B | 1 | Weldment, fuel tank/chassis | |
| 18 | 21129 | 1 | Gauge, fuel - mechanical 11" ge(mid) | Start SN: 1107255 |
| A | 65804 | 1 | Switch, float - 12.50 N.O. | Optional: Fuel Transfer Pump |

SKID ASSEMBLY



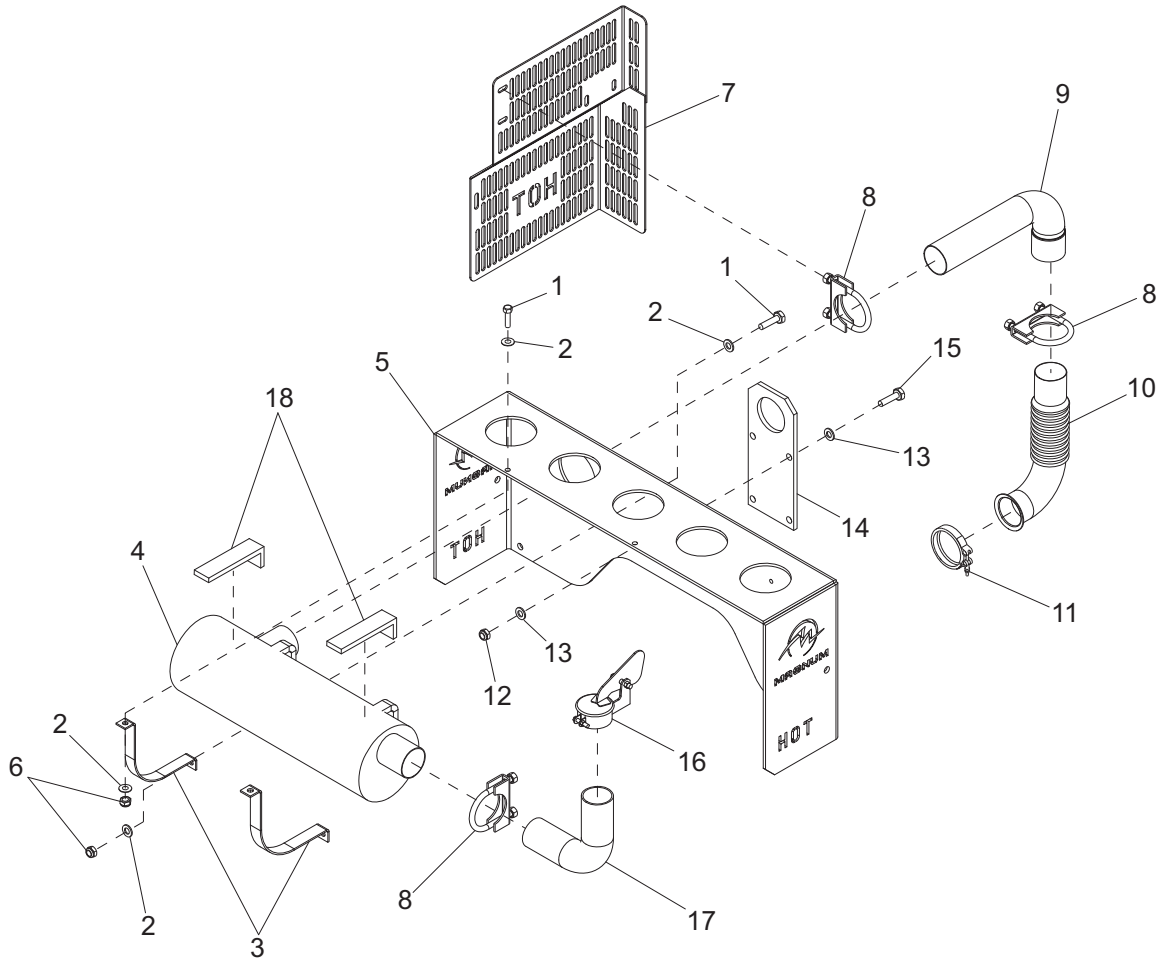
| ITEM | PART NO. | QTY | DESCRIPTION | NOTES |
|------|----------|----------|----------------------------------|-------|
| 1 | 41133 | 2 | Jack, side wind-tube mount | |
| 2 | 23256 | 2 | Pin, jack - tube mounted | |
| 3 | 41108B | 1 | Tube, lift support | |
| 4 | 50215 | 6 | Screw, std hex | |
| 5 | 60416 | 25 | Washer, flat .500 USS | |
| 6 | 60307 | 16 | Nut, .500-13 hx nylock | |
| 7 | 41145B | 1 | Bracket, heat shield | |
| 8 | 60205 | 1 | Screw, std hex | |
| 9 | 60119 | 12 | Washer, flat .312 | |
| 10 | 60358 | 1 | Nut, hx nylock | |
| 11 | 60388 | 4 | Screw, std hex | |
| 12 | 60309 | 12 | Washer, flat .500 | |
| 13 | 41151B | 2 | Weldment, pump mnt angle | |
| 14 | 60328 | 4 | Screw, std hex | |
| 15 | 41123 | 1 | Harness, trailer Light | |
| 16 | 60777 | 5 | Clamp, hose crimp style | |
| 17 | 50018 | 2.5 ft. | Hose, fuel - .312 ID 50 psi | |
| 18 | 50018 | 3.0 ft. | Hose, fuel - .312 ID 50 psi | |
| 19 | 41278B | 1 | Weldment, fuel tank/chassis | |
| 20 | 60270 | 4 | Nut, 8-32 hx hd nylock | |
| 21 | 65407 | 2 | Light, clearance - amber | |
| 22 | 60406 | 4 | Screw, 8-32X1.000 pan phil | |
| 23 | 60860 | 2 | Screw, std hex | |
| 24 | 41120B | 1 | Bracket, throttle - lift support | |
| 25 | 15627 | 3 | Clamp, tubing - heavy duty | |
| 26 | 11222 | 1 | Bracket, manual holder | |
| 27 | 60144 | 8 | Nut, .250-20 nylock | |
| 28 | 60243 | 4 | Washer, flat .250 USS | |
| 29 | 60800 | 2 | Screw, std hex | |
| 30 | 11121 | 1 | Tube, black manual holder | |
| 31 | 15693 | 1 | Fitting, barb, 90° elbow | |
| 32 | 60303 | 6 | Nut, .312-18 hx nylock | |
| 33 | 50343 | 3.16 ft. | Hose, fuel - clear vinyl | |
| 34 | 61078 | 4 | Screw, flg hex G8 ZB | |
| 35 | 60180 | 4 | Washer, .625 flat | |
| 36 | 60240 | 4 | Nut, .625-11 nylock G5 | |
| 37 | 65448 | 1 | Light, stop/turn/tail - rh | |
| 38 | 41102B | 1 | Bracket, tail light -rh | |
| 39 | 60028 | 4 | Screw, std hex | |
| 40 | 65449 | 1 | Light, stop/turn/tail -lh | |
| 41 | 41101B | 1 | Bracket, tail light -lh | |
| 42 | 41301B | 1 | Tube, lift support | |

AIR FILTER ASSEMBLY



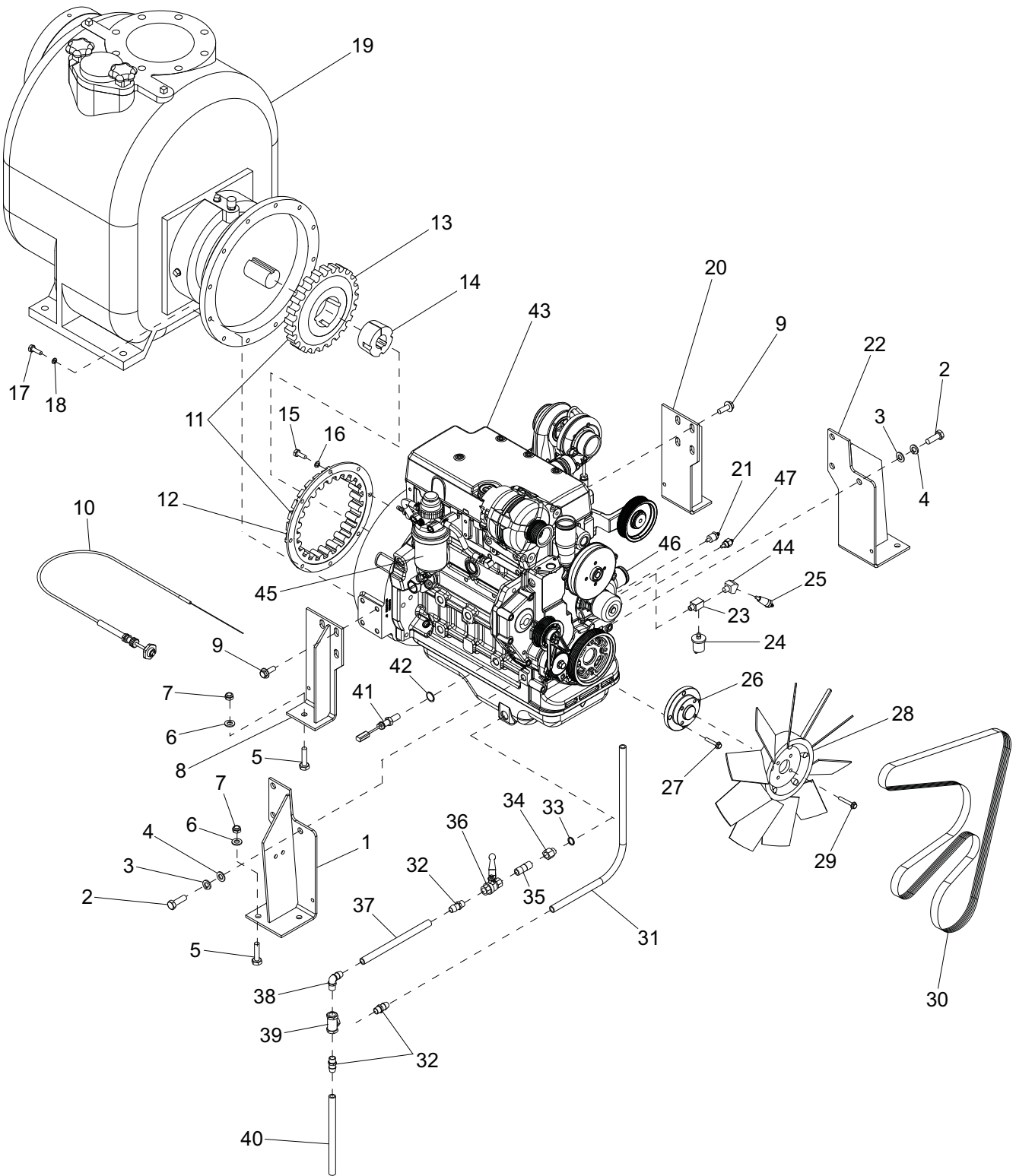
| ITEM | PART NO. | QTY | DESCRIPTION | NOTES |
|------|----------|-----|---------------------------|-------|
| 1 | 22874 | 1 | Element, air filter | |
| 2 | 19277 | 1 | Cap, dust ejector | |
| 3 | 22967 | 1 | Filter, air | |
| 4 | 18663 | 4 | Clamp, hose - (3.31-4.25) | |
| 5 | 41050 | 2 | Elbow, 45 molded rubber | |
| 6 | 41565B | 1 | Weldment, air intake tube | |
| 7 | 22872 | 1 | Insert, air hose reducer | |
| 8 | 60303 | 2 | Nut, .312-18 hx nylock | |
| 9 | 60119 | 4 | Washer, flat .312 | |
| 10 | 60028 | 2 | Screw, hx hd | |
| 11 | 40995B | 1 | Bracket, air filter - MTP | |

EXHAUST SYSTEM ASSEMBLY



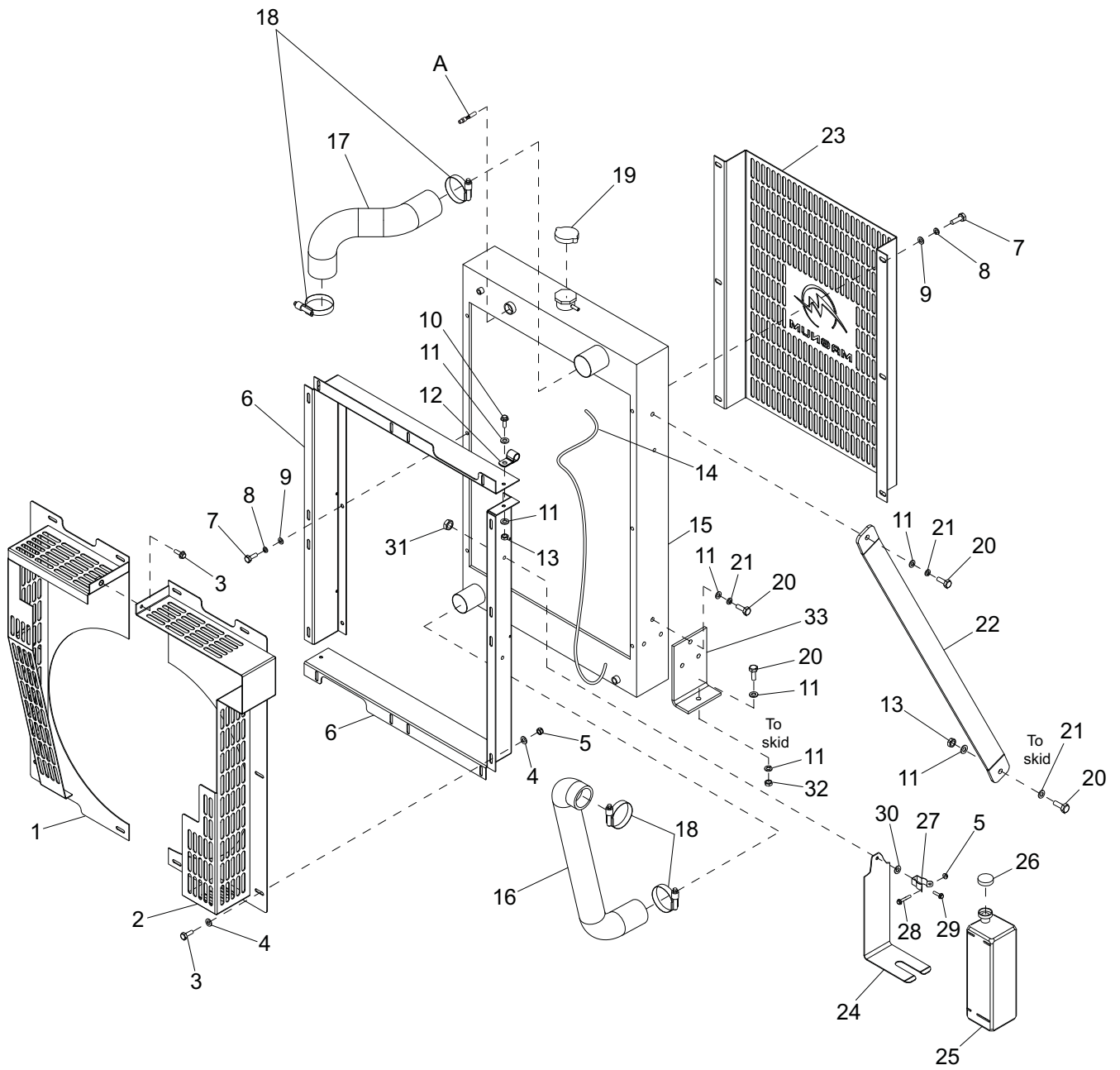
| ITEM | PART NO. | QTY | DESCRIPTION | NOTES |
|------|----------|-----|------------------------|---------------|
| 1 | 60352 | 4 | Screw, hx hd | |
| 2 | 60386 | 8 | Washer, flat .375 | |
| 3 | 41082B | 2 | Bracket, muffler | |
| 4 | 22670 | 1 | Muffler, residential | |
| 5 | 41068R | 1 | Bracket, lift support | |
| 6 | 60358 | 4 | Nut, .375-16 hx nylock | |
| 7 | 41023R | 1 | Plate, heat shield | |
| 8 | 61028 | 3 | Clamp, muffler - 2.50 | With hardware |
| 9 | 41117B | 1 | Pipe, exhaust - upper | |
| 10 | 41148B | 1 | Pipe, exhaust - lower | |
| 11 | 22712 | 1 | Clamp, 2.75" v-band | |
| 12 | 60307 | 4 | Nut, .500-13 hx nylock | |
| 13 | 60309 | 8 | Washer, flat .500 SAE | |
| 14 | 41080B | 1 | Bracket, lift eye | |
| 15 | 60484 | 4 | Screw, hx hd | |
| 16 | 25647B | 1 | Cap, rain 2.50 | |
| 17 | 41132B | 1 | Pipe, exhaust - 90° | |
| 18 | 41083B | 2 | Spacer, muffler | |

ENGINE ASSEMBLY - 4000S



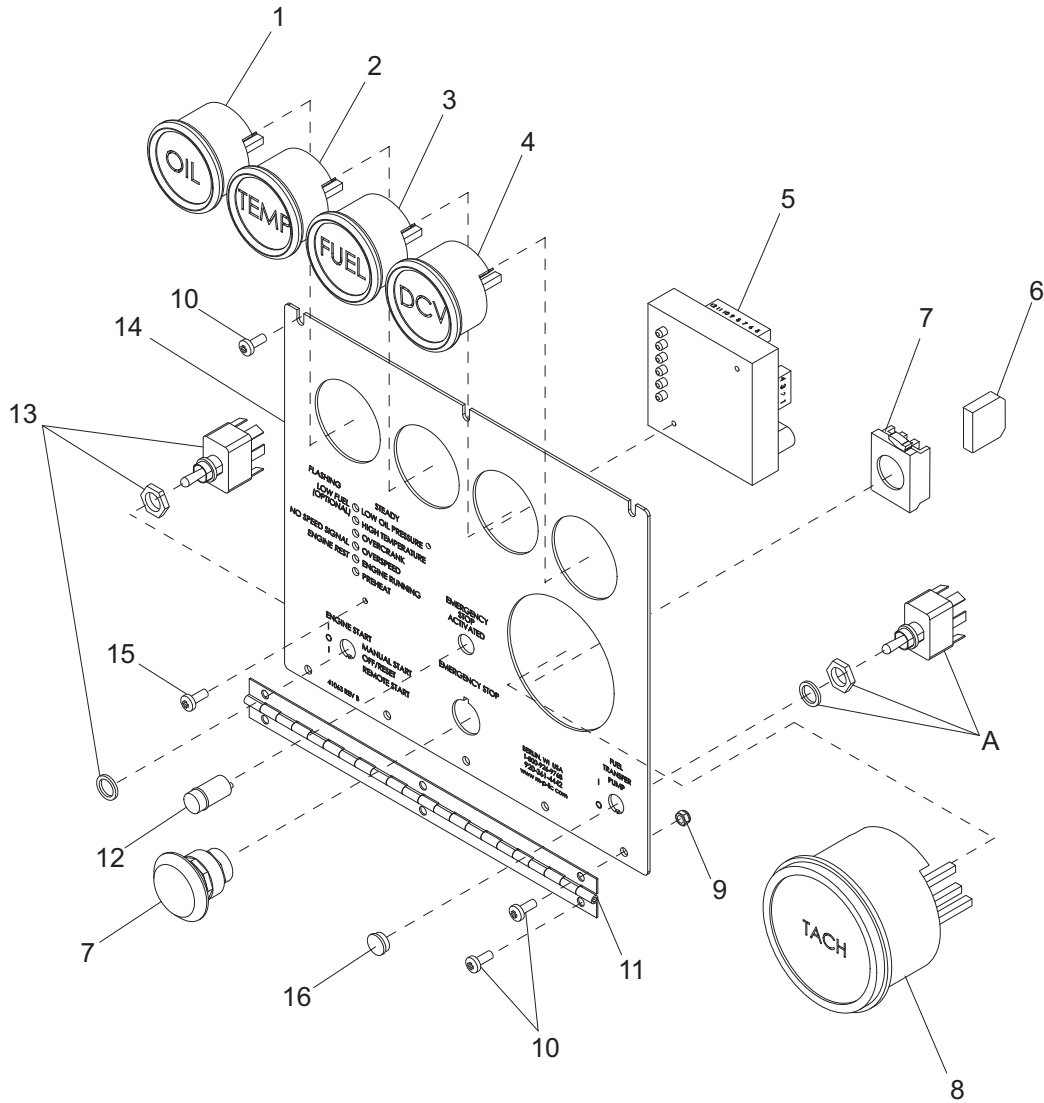
| ITEM | PART NO. | QTY | DESCRIPTION | NOTES |
|------|----------|----------|--------------------------------|---------------------|
| 1 | 41112B | 1 | Weldment, engine mnt - rh | |
| 2 | 60489 | 6 | Screw, M16x40 hx hd | |
| 3 | 60194 | 6 | Washer, split lock M16 | |
| 4 | 60126 | 6 | Washer, flat M16 | |
| 5 | 60388 | 6 | Screw, hx | |
| 6 | 60309 | 6 | Washer, flat .500 | |
| 7 | 60307 | 6 | Nut, .500-13 hx nylock | |
| 8 | 41071B | 1 | Weldment, eng mnt - rh rr | |
| 9 | 60065 | 8 | Screw, M12x40 hx ser flg | |
| 10 | 41165 | 1 | Cable, push/pull throttle | |
| 11 | 41193 | 1 | Coupling flywhl ring/rbbr drv | Set (items 12 & 13) |
| 12 | 41191 | 1 | Coupling flywheel ring | |
| 13 | 41192 | 1 | Coupling rubber driver | |
| 14 | 41194 | 1 | Coupling hub | |
| 15 | 60205 | 8 | Screw, .375-16x1.000 hx | |
| 16 | 60206 | 8 | Washer, split lock .375 | |
| 17 | 60215 | 12 | Screw, M10x1.5x35 hx | |
| 18 | 60026 | 12 | Washer, split lock M10 | |
| 19 | 49191B | 1 | Pump, trash - 4" wet prime ES4 | Start SN: 1030534 |
| | 41088B | 1 | Pump, trash - 4" wet prime | End SN: 1030533 |
| 20 | 41072B | 1 | Weldment, eng mnt - lh rr | |
| 21 | 65635 | 1 | Switch, temperature - N.O. | |
| 22 | 41113B | 1 | Weldment, engine mnt - lh | |
| 23 | 60735 | 1 | Fitting, street tee brass | |
| 24 | 18106 | 1 | Sensor, oil pressure | |
| 25 | 65656 | 1 | switch oil pressure | |
| 26 | 41134 | 1 | Spacer, fan | |
| 27 | 60858 | 4 | Screw, M10x1.5x75 soc hd | |
| 28 | 41121 | 1 | Fan, pusher - 18.00 CW | |
| 29 | 60160 | 4 | Screw, hx ser flg | |
| 30 | 24845 | 1 | Belt, fan | |
| 31 | 50332 | 3.09 ft. | Hose, fuel - .750 ID 175 psi | |
| 32 | 41167 | 3 | Fitting, barb strt blk nylon | |
| 33 | 19467 | 1 | Seal, M22 | |
| 34 | 19307 | 1 | Fitting, brass | |
| 35 | 60438 | 1 | Nipple, pipe | |
| 36 | 60985 | 1 | Valve, ball - padlocking | |
| 37 | 50332 | .625 ft. | Hose, fuel - .750 ID 175 psi | |
| 38 | 41168 | 1 | Fitting, barb 90° blk nylon | |
| 39 | 60986 | 1 | Fitting, tee polyprop | |
| 40 | 50332 | 1.17 ft. | Hose, fuel - .750 ID 175 psi | |
| 41 | 41204 | 1 | Sensor, tach - J.D. | |
| 42 | 41205 | 1 | O-ring - J.D. tach sensor | |
| 43 | 41996 | 1 | Engine, Deere 4024TF281 | Start SN: 0930134 |
| | 40964 | 1 | Engine, Deere 4024TF270 | End SN: 0930135 |
| 44 | 22331 | 1 | Fitting, 45° street - brass | |
| 45 | 29487 | 1 | Filter, oil - 4024TF/HF T3 | |
| 46 | 23145 | 1 | Filter, fuel - 4024/5030 | |
| 47 | 22690 | 1 | Sensor, coolant temp. | |

COOLING SYSTEM ASSEMBLY



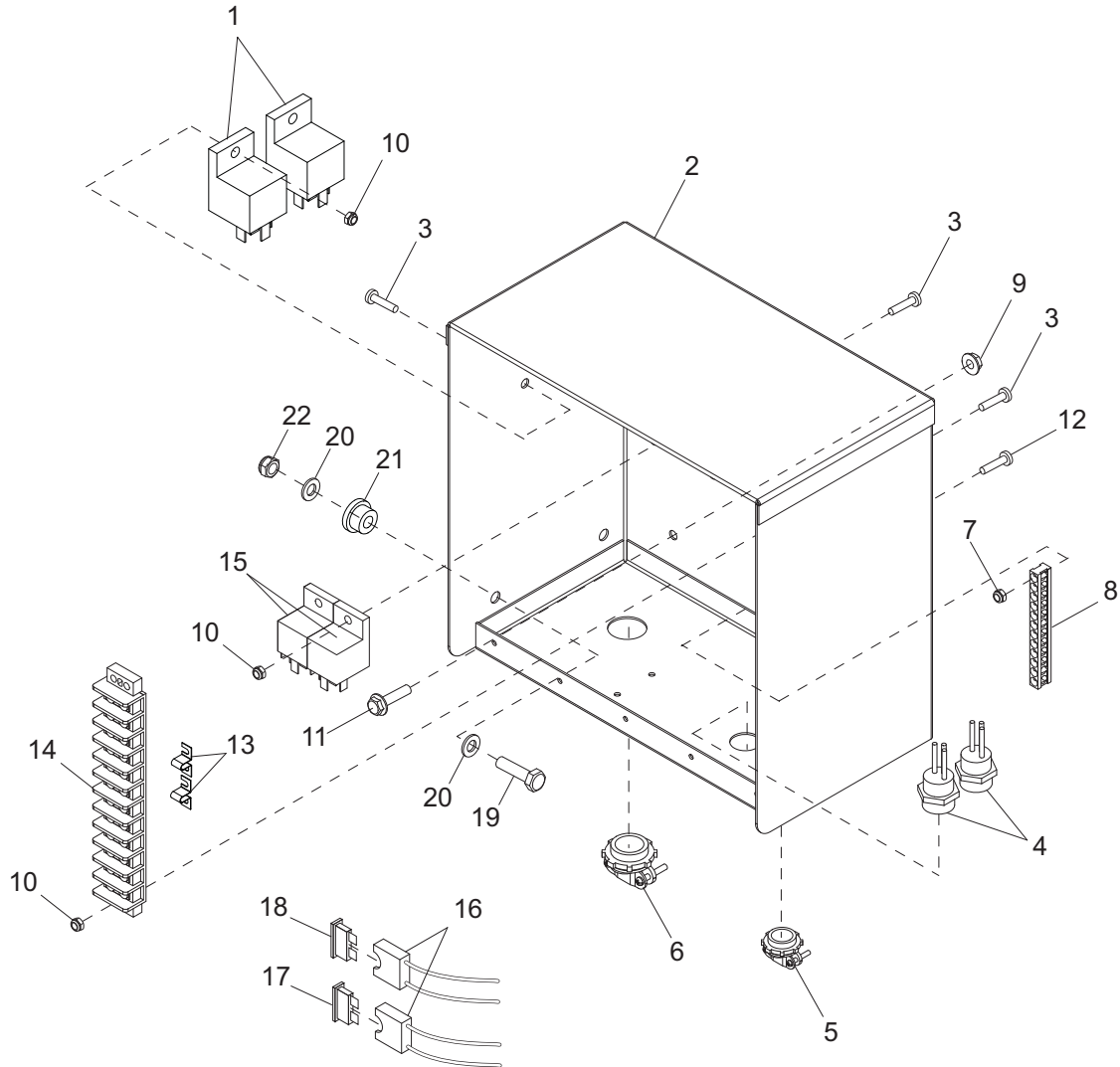
| ITEM | PART NO. | QTY | DESCRIPTION | NOTES |
|------|----------|---------|-----------------------------|----------|
| 1 | 41011B | 1 | Weldment, fan guard - lh | |
| 2 | 41012B | 1 | Weldment, fan guard - rh | |
| 3 | 60393 | 13 | Screw, hx hd | |
| 4 | 60243 | 21 | Washer, flat .250 | |
| 5 | 60144 | 13 | Nut, .250-20 nylock | |
| 6 | 41281B | 2 | Radiator shroud | |
| 7 | 60028 | 6 | Screw,hx hd | |
| 8 | 60271 | 6 | Washer, split lock .312 | |
| 9 | 60119 | 6 | Washer, flat .312 | |
| 10 | 60352 | 2 | Screw, hx hd | |
| 11 | 60386 | 11 | Washer, flat .375 | |
| 12 | 16143 | 1 | Clamp, tubing - .500 | |
| 13 | 60358 | 2 | Nut, .375-16 hx nylock | |
| 14 | 50018 | 3.5 ft. | Radiator overflow hose | |
| 15 | 41257 | 1 | Radiator assembly | |
| 16 | 41046 | 1 | Hose, lower radiator | |
| 17 | 41045 | 1 | Hose, upper radiator | |
| 18 | 60660 | 4 | Clamp, hose - const. torque | |
| 19 | 22376 | 1 | Cap - radiator | |
| 20 | 60205 | 8 | Screw, hx hd | |
| 21 | 60206 | 8 | Washer, split lock .375 | |
| 22 | 41044B | 2 | Strut, radiator support | |
| 23 | 41040R | 1 | Guard, rock | |
| 24 | 41206B | 1 | Bracket, overflow jug | |
| 25 | 41958 | 1 | Jug, overflow 3.5 qt. | |
| 26 | 19714 | 1 | Cap, overflow jug | |
| 27 | 19726 | 1 | Clamp, overflow jug | |
| 28 | 60414 | 1 | Screw, hx hd | |
| 29 | 60062 | 2 | Screw, pan hd phil | |
| 30 | 60237 | 2 | Washer, flat SAE #10 | |
| 31 | 60061 | 2 | Nut, 10-32 hx nylock | |
| 32 | 60140 | 2 | Nut, .375-16 hex | |
| 33 | 41239B | 2 | Bracket, rad. mountng | |
| A | 65592 | 1 | Sensor, low coolant | Optional |

CONTROL PANEL ASSEMBLY



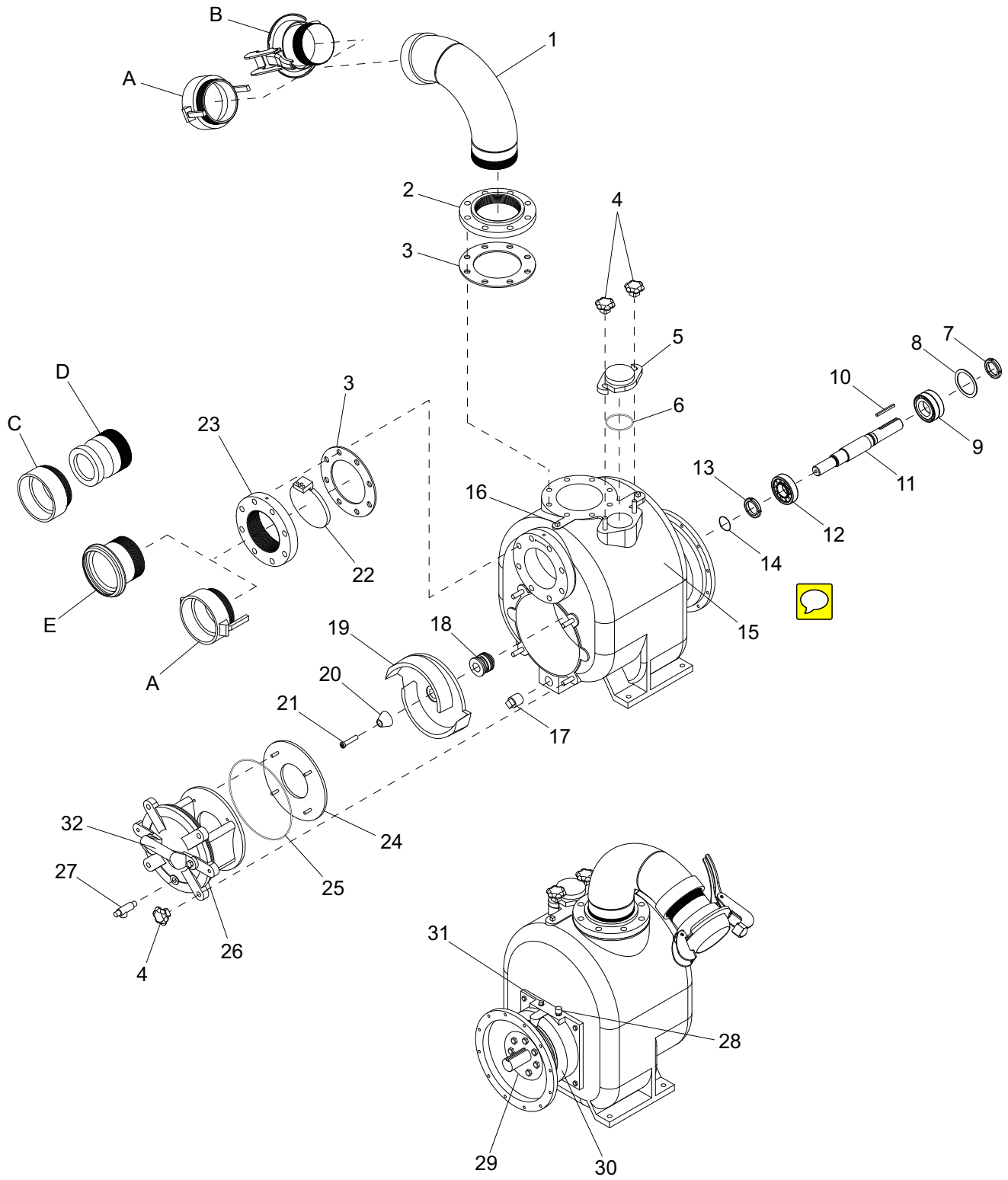
| ITEM | PART NO. | QTY | DESCRIPTION | NOTES |
|------|----------|-----|-------------------------------|------------------------------|
| 1 | 65628 | 1 | Gauge, oil pressure | |
| 2 | 65629 | 1 | Gauge, coolant temp | |
| 3 | 65631 | 1 | Gauge, fuel - elec | |
| 4 | 65630 | 1 | Gauge, voltmeter - DC | |
| 5 | 65634 | 1 | Controller, basic engine | |
| 6 | 65584 | 1 | Block, e-stop contactor | |
| 7 | 65470 | 1 | Switch, e-stop operator | |
| 8 | 65627 | 1 | Gauge, tach/hour meter | |
| 9 | 60061 | 6 | Nut, 10-32 hx nylock | |
| 10 | 60277 | 9 | Screw, pan hd | |
| 11 | 10081 | 1 | Hinge, continuous | |
| 12 | 65388 | 1 | Light, indicator red - w/wire | |
| 13 | 65632 | 1 | Switch, toggle - 3 pos | |
| 14 | 41063 | 1 | Panel, control - | |
| 15 | 60406 | 2 | Screw, pan hd phil | |
| A | 65863 | 1 | Switch, toggle | Optional: Feul Transfer Pump |

CONTROL BOX ASSEMBLY



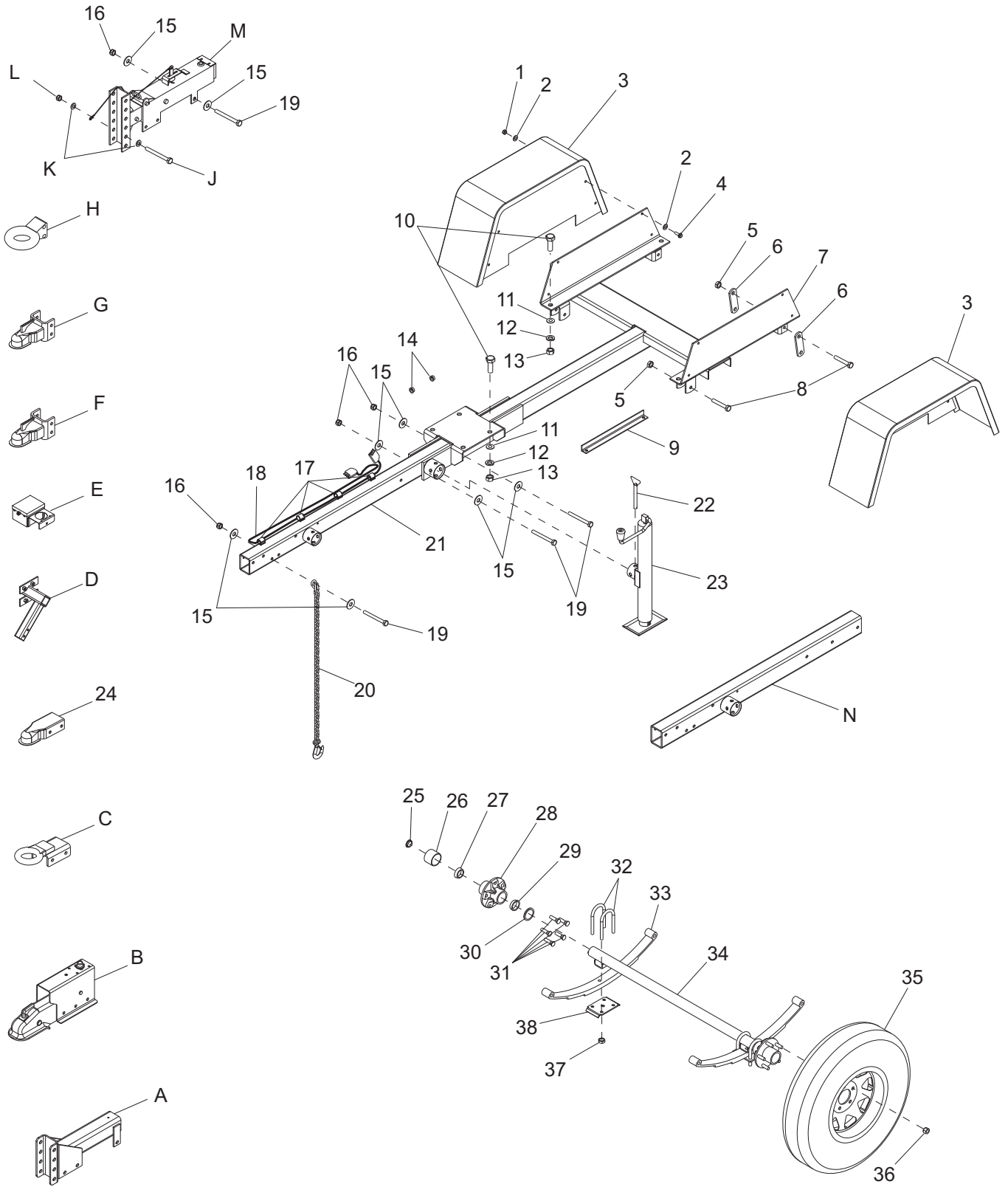
| ITEM | PART NO. | QTY | DESCRIPTION | NOTES |
|------|----------|-----|----------------------------|-------|
| 1 | 18081 | 2 | Relay, ignition solenoid | |
| 2 | 41188B | 1 | Box, control | |
| 3 | 60062 | 5 | Screw, pan hd phil | |
| 4 | 15403 | 2 | Connector, qck disc. - fml | |
| 5 | 14202 | 1 | Strain relief-romex w/nut | |
| 6 | 14219 | 1 | Strain relief-romex w/nut | |
| 7 | 60270 | 4 | Nut, 8-32 hx hd nylock | |
| 8 | 14204 | 1 | Kit, ground bar | |
| 9 | 60161 | 4 | Nut, .250-20 hx ser flg | |
| 10 | 60061 | 5 | Nut, 10-32 hx nylock | |
| 11 | 65644 | 1 | Base, relay - 8 pos. | |
| 12 | 60244 | 2 | Screw, pan hd phil | |
| 13 | 65659 | 1 | Relay, DPDT, 8 pos. | |
| 14 | 14203 | 1 | Block, terminal - 10 pos. | |
| 15 | 65049 | 3 | Relay, w/diode | |
| 16 | 60479 | 4 | Screw, hx ser flg | |
| 17 | 65145 | 2 | Holder, fuse - 30 amp | |
| 18 | 65211-25 | 2 | Fuse, 25 amp, blade type | |
| 19 | 65451 | 1 | Holder, fuse - 50/60 AMP | |
| 20 | 65450 | 1 | Fuse, 50 AMP | |

4" WET PRIME PUMP ASSEMBLY



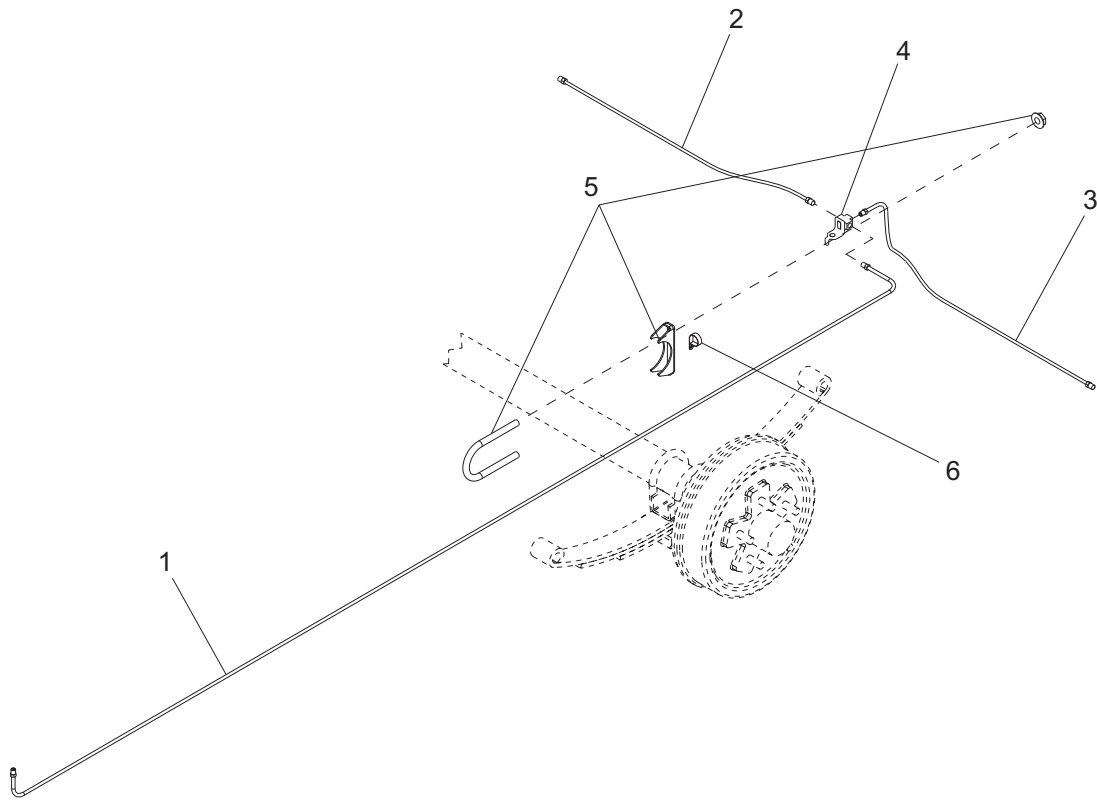
| ITEM | PART NO. | QTY | DESCRIPTION | NOTES |
|------|----------|-----|-----------------------------|------------------------------|
| 1 | 41316B | 1 | Weldment, pump outlet tube | |
| 2 | 41305B | 1 | PPI outlet NPT flange 4" | |
| 3 | 43660 | 2 | Gasket, discharge flange | Start SN: 1030534 |
| | 41155 | 2 | Gasket, pump flange - 4" | End SN: 1030533 |
| 4 | 41208B | 6 | Hand knob | |
| 5 | 41209B | 1 | Prime fill cover | |
| 6 | 41210 | 1 | Prime fill cover gskt 4"/6" | |
| 7 | 41872 | 1 | Outboard oil seal 4"/6" | |
| 8 | 43666 | 1 | Snap ring | Start SN: 1030534 |
| | 41873 | 1 | Snap ring 4"/6" | End SN: 1030533 |
| 9 | 43665 | 1 | Bearing | Start SN: 1030534 |
| | 41874 | 1 | Outboard bearing 4"/6" | End SN: 1030533 |
| 10 | 41579 | 1 | Key, shaft | |
| 11 | 43667 | 1 | Shaft | Start SN: 1030534 |
| | 41578 | 1 | Shaft 4"/6" | End SN: 1030533 |
| 12 | 43669 | 1 | Bearing | Start SN: 1030534 |
| | 41878 | 1 | Inboard bearing 4"/6" | End SN: 1030533 |
| 13 | 41872 | 1 | Inboard oil seal 4"/6" | |
| 14 | 41879 | 1 | Bearing hsng O-rng 4" | |
| 15 | 43661 | 1 | Volute | Start SN: 1030534 |
| | 41869 | 1 | Volute 4" | End SN: 1030533 |
| 16 | 41881 | 1 | Check valve pin 4" | |
| 17 | 60988 | 1 | Plug, 1.00 NPT square drv | |
| 18 | 43671 | 1 | Seal assembly | Start SN: 1030534 |
| | 41219 | 1 | Mech. seal assy 4"/6" | End SN: 1030533 |
| 19 | 41212 | 1 | Impeller 4" | |
| 20 | 41883 | 1 | Impeller washer 4"/6" | |
| 21 | 41882 | 1 | Impeller screw 4"/6" | |
| 22 | 41217 | 1 | Check valve 4" | |
| 23 | 41224B | 1 | Inlet NPT flange 4" | |
| 24 | 41213 | 1 | Wear plate 4" | |
| 25 | 43672 | 1 | O-ring, inspect cover | Start SN: 1030534 |
| | 41215 | 1 | Inspection cvr O-rng 4" | End SN: 1030533 |
| 26 | 43673 | 1 | Cover-inspect | Start SN: 1030534 |
| | 41214B | 1 | Inspection cvr 4" | End SN: 1030533 |
| 27 | 41216 | 1 | Relief valve | |
| 28 | 41871 | 1 | Bearing housing vent 4"/6" | |
| 29 | 43668 | 1 | Bearing cap | Start SN: 1030534 |
| | 41875 | 1 | Bearing cover 4"/6" | End SN: 1030533 |
| 30 | 43664 | 1 | Bearing housing | Start SN: 1030534 |
| | 41877 | 1 | Bearing housing 4" | End SN: 1030533 |
| 31 | 41870 | 1 | Seal vent plug 4"/6" | |
| 32 | 43674 | 1 | Handle-cover | Start SN: 1030534 |
| -- | 41457 | 1 | Sight glass - .75NPT | Not shown |
| -- | 43662 | 1 | Seal plate | Start SN: 1030534, not shown |
| | 41868 | 1 | Seal plate 4" | End SN: 1030533, not shown |
| -- | 43670 | 1 | Gasket, bearing cap | Start SN: 1030534, not shown |
| | 41876 | 1 | Bearing cvr/brckt gskt | End SN: 1030533, not shown |
| -- | 43675 | - | Impeller shim kit | Not shown |
| -- | 41887 | 1 | Seal plate O-ring 4" | Not shown |
| -- | 43663 | 1 | Gasket seal plate | Start SN: 1030534, not shown |
| | 41888 | 1 | Seal plate gasket 4"/6" | End SN: 1030533, not shown |
| -- | 41889 | 1 | Seal sleeve O-ring 4"/6" | Not shown |
| A | 41328 | 2 | Cam & groove coupler | Optional |
| B | 41324 | 1 | Ball and lock ring | Optional |
| C | 41584B | 1 | Weldment, pump fitting 45° | Optional |
| D | 41586 | 1 | Cam and groove | Optional |
| E | 41326 | 1 | Socket -male galv. | Optional |

TRAILER ASSEMBLY



| ITEM | PART NO. | QTY | DESCRIPTION | NOTES |
|------|----------|-----|--|----------------------------------|
| 1 | 60140 | 8 | Nut, .375-16 hx hd | |
| 2 | 60386 | 16 | Washer, flat .375 | |
| 3 | 22743B | 2 | Fender, single wheel | |
| 4 | 60179 | 8 | Screw .375-16X.750 hx hd | |
| 5 | 60504 | 6 | Nut, hx shackle lock | |
| 6 | 19637 | 4 | Plate, shackle bracket | |
| 7 | 24811B | 1 | Weldment, trailer chassis | |
| 8 | 60503 | 6 | Screw, .562-18 hx shackle | |
| 9 | 24691B | 1 | Brace, tongue shipping | |
| 10 | 60383 | 6 | Screw, hx hd | |
| 11 | 60247 | 6 | Washer, flat .750 | |
| 12 | 60248 | 6 | Washer, split lock .750 | |
| 13 | 15293 | 6 | Nut, .750-10 hx | |
| 14 | 22340 | 2 | Bushing, 1.00 OD X .75 ID | |
| 15 | 60309 | 14 | Washer, flat .500 | |
| 16 | 60307 | 7 | Nut, .500-13 hx nylock | |
| 17 | 23205 | 1 | Harness, trailer | |
| 18 | 61010 | 7 | Clamp, tubing - heavy duty | |
| 19 | 60659 | 7 | Screw, hx hd | |
| 20 | 23367 | 2 | Chain, safety | |
| 21 | 24812B | 1 | Weldment, flip tongue | |
| 22 | 23256 | 1 | Pin, jack - tube mounted | |
| 23 | 13051 | 1 | Jack assy, top wind | |
| 24 | 15103 | 1 | Coupler, 2" ball/3" channel | |
| 25 | 11254 | 2 | Plug, grease cap - for zerk | |
| 26 | 23170 | 2 | Cap, grease - w/ rubber plug | |
| 27 | 24831 | 2 | Roller bearing - outer | |
| 28 | 26452 | 2 | Brake drum - 12" 6 on 5.5" | |
| 29 | 24830 | 2 | Roller bearing - inner | |
| 30 | 24832 | 2 | Bearing seal axle | |
| 31 | 60963 | 12 | Stud, wheel - axle | |
| 32 | 40875 | 4 | U-bolt | |
| 33 | 23912 | 2 | Spring, 5000lb axle | |
| 34 | 22876 | 1 | Axle, 5000#, electric | |
| | 22877 | 1 | Axle, 5000#, hydraulic | |
| 35 | 18377 | 2 | Wheel, ST225/75R15 | |
| 36 | 60096 | 12 | Nut, .500-20 wheel lug | |
| 37 | 26441 | 8 | U-bolt nut, 1/2-20 plated | |
| 38 | 40874 | 2 | Tie plate | |
| A | 19379B | 1 | Weldment, hitch 4 pos. | Option: adjustable hitch, elec |
| B | 24304 | 1 | Actuator, hyd surge - 2" ball, 6000 lb | Option: non-adjustable |
| C | 11032 | 1 | Weldment, lun. ring - 3.0ID/3.0 tongue | Option: non-adjustable |
| D | 12235B | 1 | Weldment, spare tire holder | Option |
| E | 19417 | 1 | Breakaway Kit | Option |
| F | 19518 | 1 | Coupler, 2.00 ball | Option: adjustable |
| G | 19519 | 1 | Coupler, 2.31 ball | Option: adjustable |
| H | 19335B | 1 | Hitch, pintle eye - 3.00 ID | Option: adjustable |
| J | 60239 | 2 | Screw, .625-11x5.000 hex hd | Option: adjustable |
| K | 60180 | 4 | Washer, flat .625 | Option: adjustable |
| L | 60240 | 2 | Nut, .625-11 hex nylock | Option: adjustable |
| M | 40529 | 1 | Actuator, hyd surge brake 7500lb | Option: adjustable actuator, hyd |
| N | 24824B | 1 | Weldment, flip tongue | Option: for adj. actuator/hitch |
| -- | 26574 | 2 | Electric brake assy, RH | Not Shown |
| -- | 26573 | 2 | Electric brake assy, LH | Not Shown |
| -- | 26572 | 2 | Surge brake assy, RH | Free backing, Not Shown |
| -- | 26571 | 2 | Surge brake assy, LH | Free backing, Not Shown |

TRAILER BRAKE LINES



| ITEM | PART NO. | QTY | DESCRIPTION | NOTES |
|------|----------|-----|-------------------------------|-----------------|
| 1 | 24688 | 1 | Hose, brake - male/male | |
| 2 | 40495 | 1 | Line, brake - .188 x 20.00 | |
| 3 | 40494 | 1 | Line, brake - .188 X 30.00 | |
| 4 | 19252 | 1 | Fitting, brake line T w/brckt | |
| 5 | 61028 | 1 | Clamp, muffler - 2.50 lt duty | U-bolt & saddle |
| 6 | 61010 | 1 | Clamp, tubing - heavy duty | |

SERVICE LOG

OIL GRADE AND TYPE: _____ BRAND: _____

COOLANT MIXTURE: _____ BRAND: _____

| Date | Hours to service | Oil level | Coolant level |
|------|------------------|-----------|---------------|
| | | | |
| | | | |
| | | | |
| | | | |
| | | | |
| | | | |
| | | | |
| | | | |
| | | | |
| | | | |
| | | | |
| | | | |
| | | | |
| | | | |
| | | | |
| | | | |
| | | | |
| | | | |
| | | | |
| | | | |
| | | | |
| | | | |
| | | | |
| | | | |
| | | | |
| | | | |
| | | | |
| | | | |
| | | | |
| | | | |
| | | | |
| | | | |
| | | | |
| | | | |
| | | | |
| | | | |
| | | | |
| | | | |
| | | | |
| | | | |
| | | | |

| Date | Hours to service | Oil level | Coolant level |
|------|------------------|-----------|---------------|
| | | | |
| | | | |
| | | | |
| | | | |
| | | | |
| | | | |
| | | | |
| | | | |
| | | | |
| | | | |
| | | | |
| | | | |
| | | | |
| | | | |
| | | | |
| | | | |
| | | | |
| | | | |
| | | | |
| | | | |
| | | | |
| | | | |
| | | | |
| | | | |
| | | | |
| | | | |
| | | | |
| | | | |
| | | | |
| | | | |
| | | | |
| | | | |
| | | | |
| | | | |
| | | | |
| | | | |
| | | | |
| | | | |
| | | | |
| | | | |
| | | | |
| | | | |
| | | | |

REV: ORG
PART NO: 43199
08.31.11